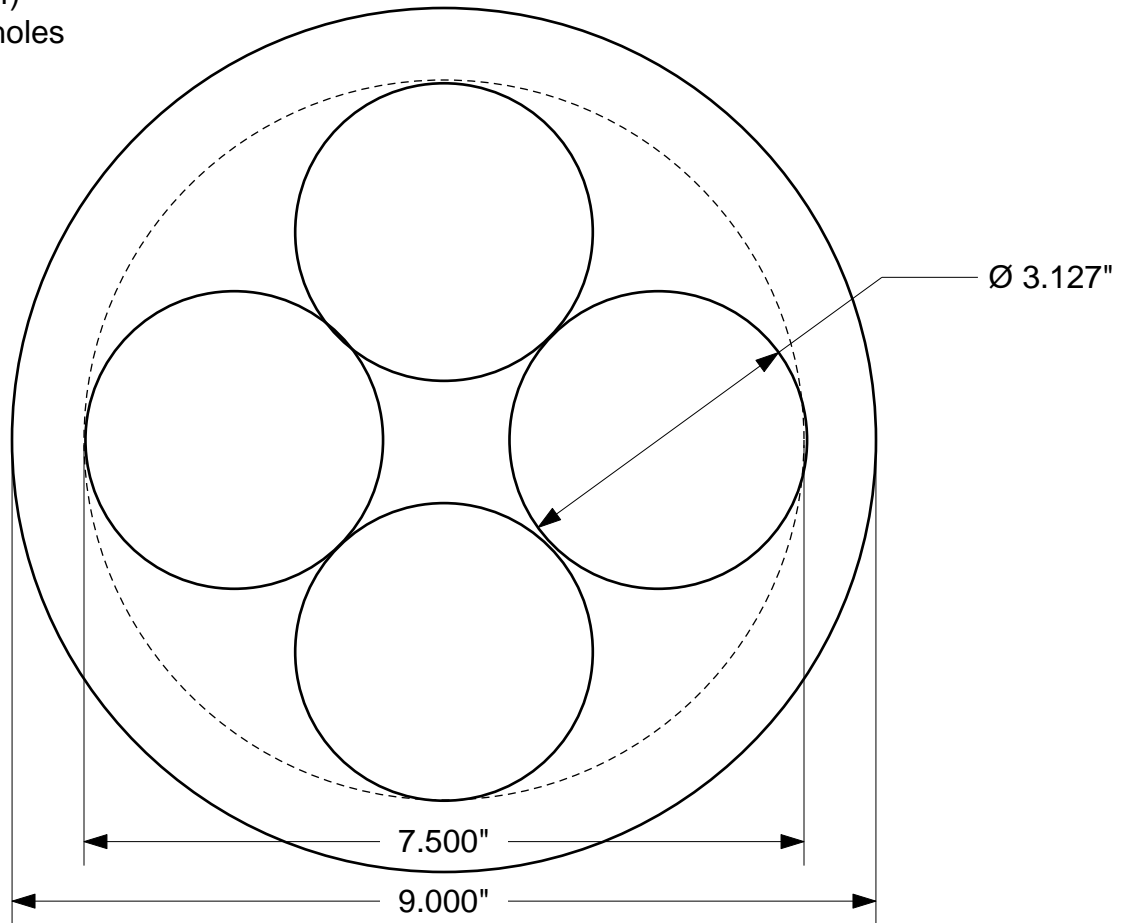


Forward/Aft CRs (make 4)
9" diameter with 3.127" holes
(to fit 3" airframe tubing)



Center CR (make 1)
7.5" diameter with 3.002" holes
(to fit 3" coupler tubing)

